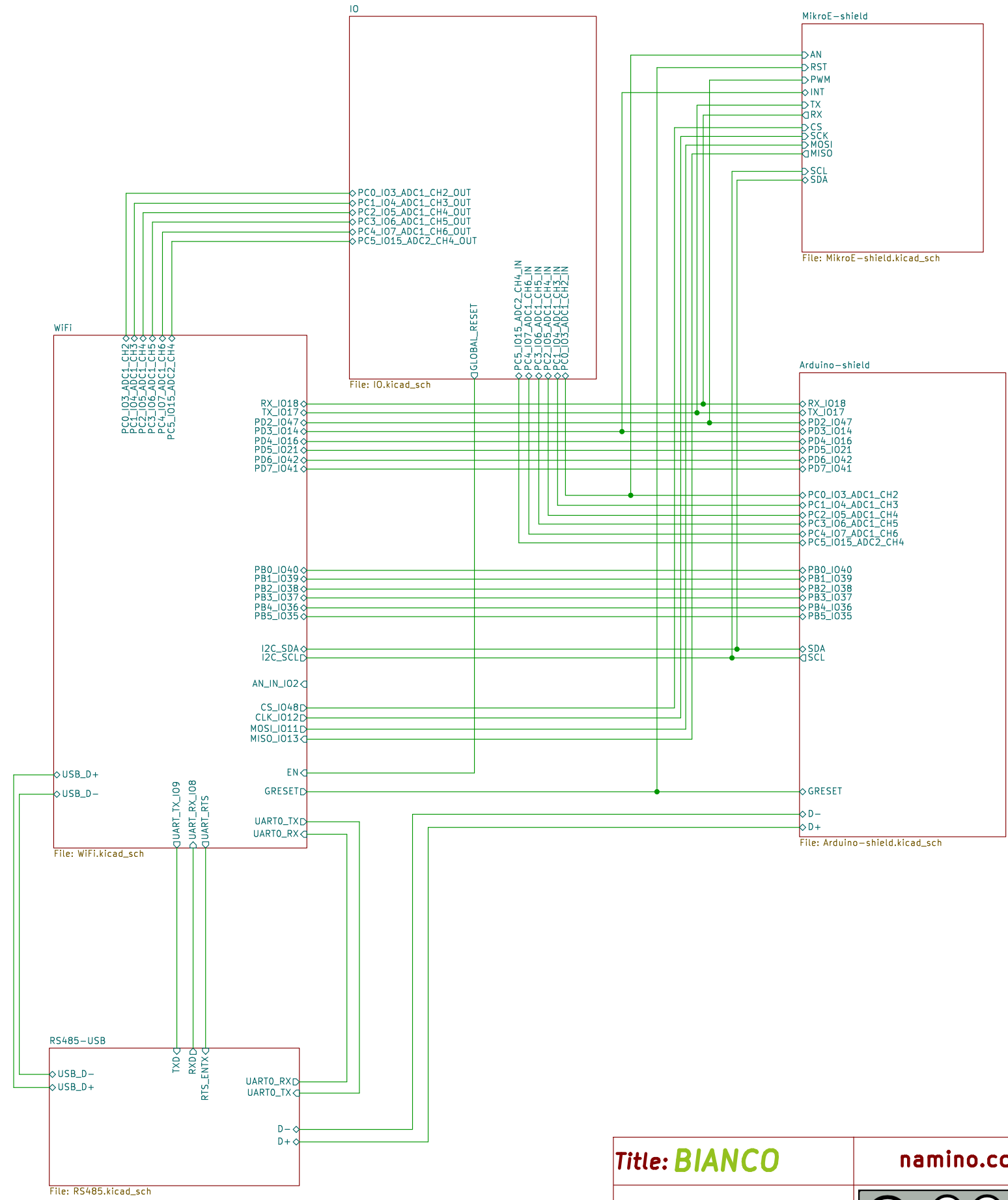
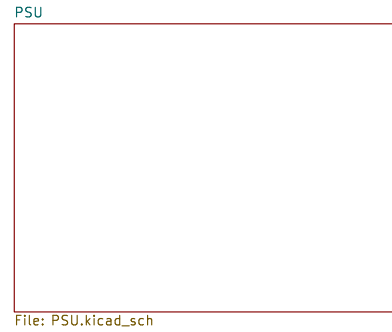
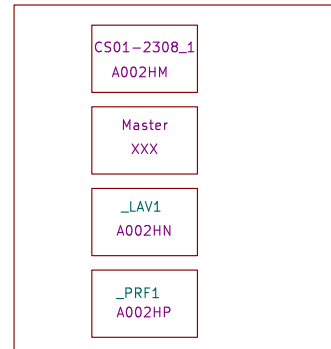
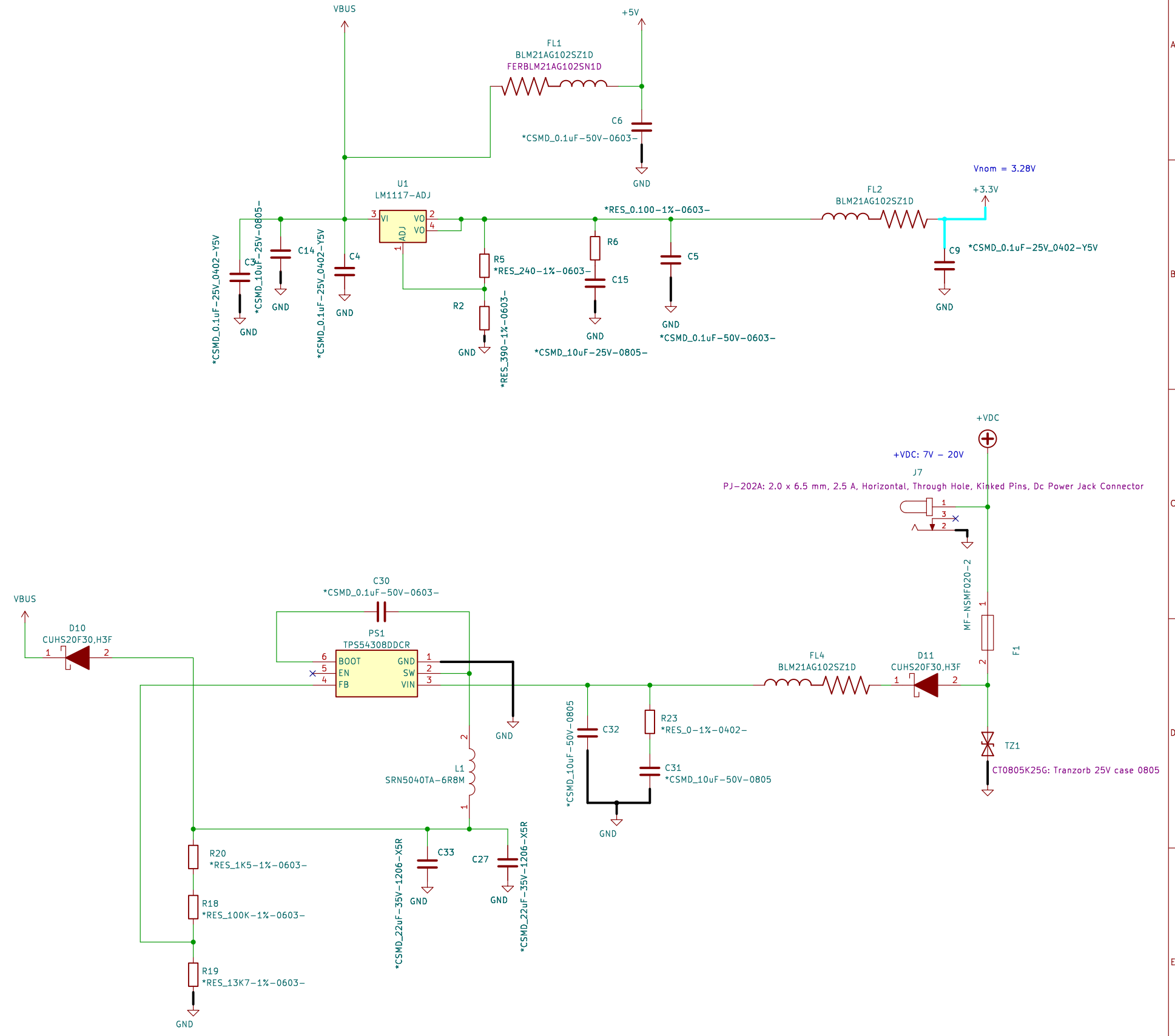
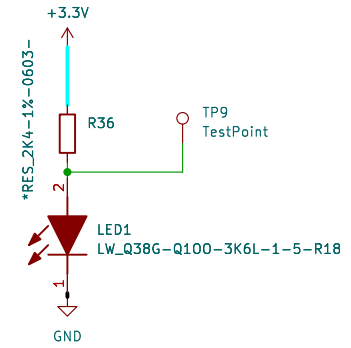


This documentation is licensed under a Creative Commons Attribution-ShareAlike 4.0 International (CC BY-SA) licence <http://creativecommons.org/licenses/by-sa/4.0/>



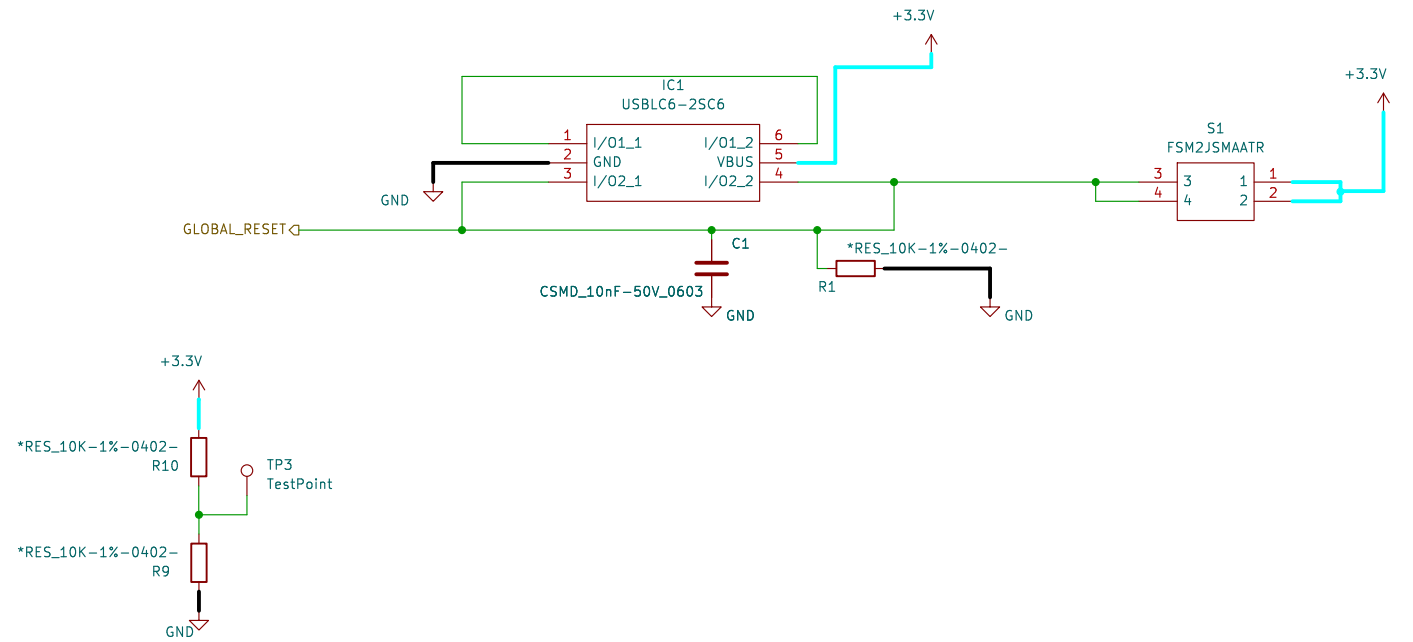
namino BIANCO schematic

<b>Title: BIANCO</b>		<b>namino.cc</b>		
Sheet: /				
File: scheda-bianco.kicad_sch	Size: A3	Date: 2023-10-31	Author: namino.cc	Rev: 1
KiCad E.D.A. kicad (7.0.0)				sheet: 1



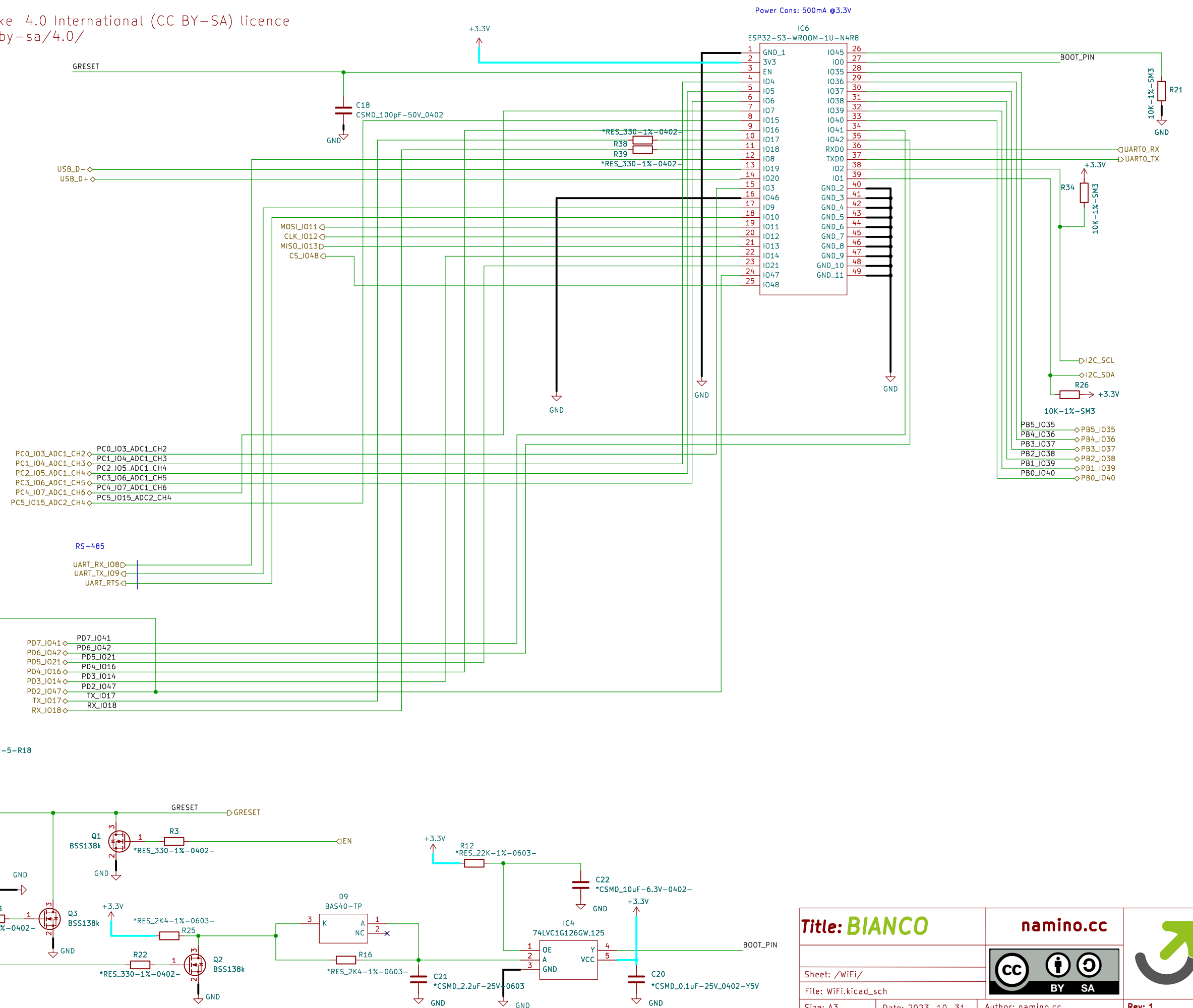
<b>Title: BIANCO</b>		<b>namino.cc</b>		
Sheet: /PSU/				
File: PSU.kicad_sch		Author: namino.cc		Rev: 1
Size: A3	Date: 2023-10-31	KiCad E.D.A. kicad (7.0.0)		sheet: 2

Hi-Voltage  
Analogue/Digital Innputs

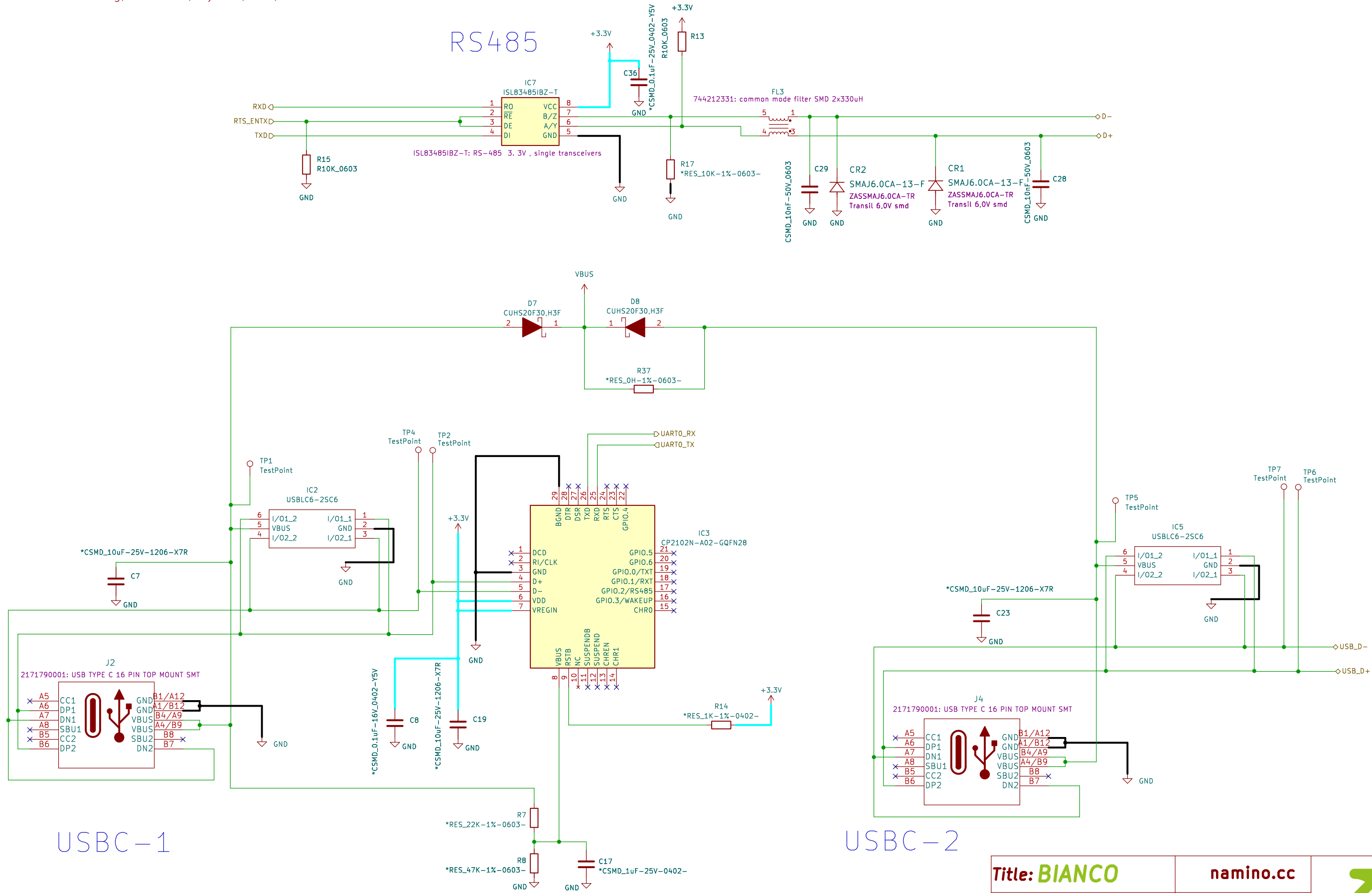


This documentation is licensed under a Creative Commons Attribution-ShareAlike 4.0 International (CC BY-SA) licence <http://creativecommons.org/licenses/by-sa/4.0/>

# ESP32-S3





<b>Title: BIANCO</b>		<b>namino.cc</b>		
Sheet: /WiFi/		File: WiFi.kicad_sch		
Size: A3	Date: 2023-10-31	Author: namino.cc	Rev: 1	
KiCad E.D.A. kicad (7.0.0)		sheet: 5		

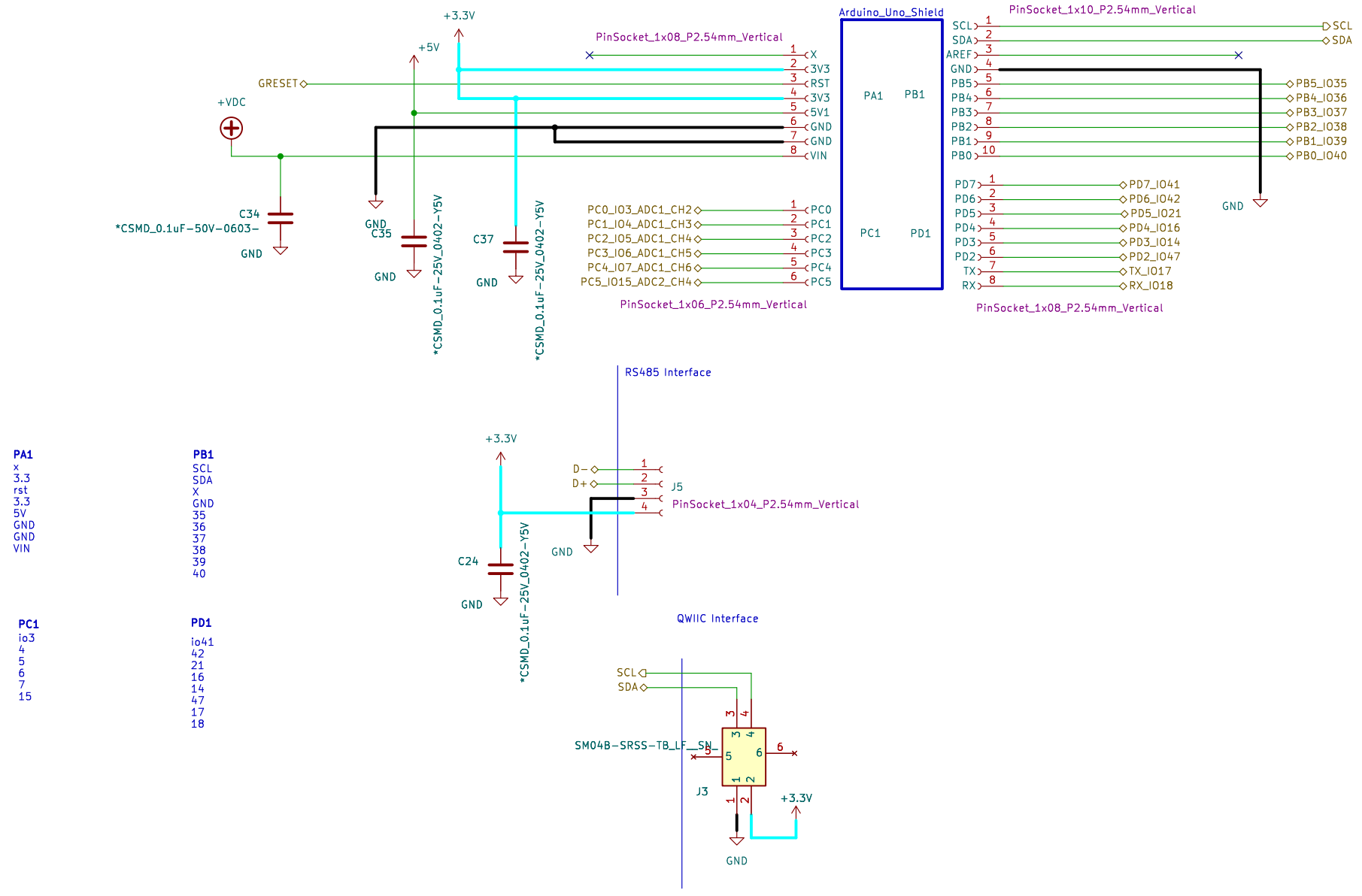


USBC-1

USBC-2

<b>Title: BIANCO</b>		<b>namino.cc</b>		
Sheet: /RS485-USB/				
File: RS485.kicad_sch		Author: namino.cc		Rev: 1
Size: A3	Date: 2023-10-31	KiCad E.D.A. kicad (7.0.0)		sheet: 6

This documentation is licensed under a Creative Commons Attribution-ShareAlike 4.0 International (CC BY-SA) licence <http://creativecommons.org/licenses/by-sa/4.0/>



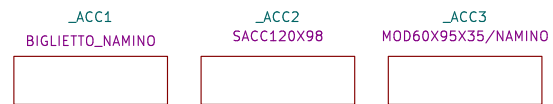
PA1	PB1
x	SCL
3.3	SDA
rst	X
3.3	GND
5V	35
GND	36
GND	37
VIN	38
	39
	40



  

PC1	PD1
io3	io41
4	42
5	21
6	16
7	14
15	47
	17
	18

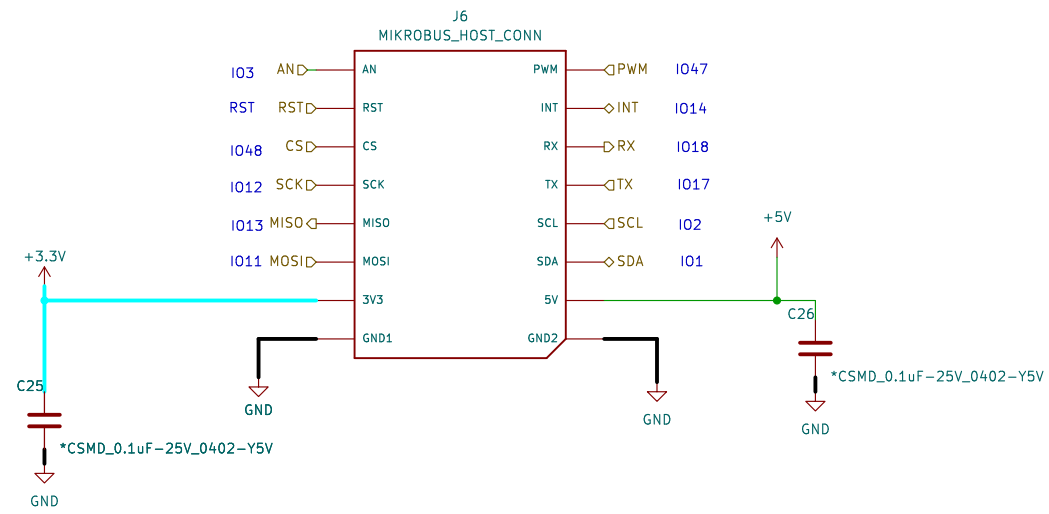
<b>Title: BIANCO</b>		<b>namino.cc</b>		
Sheet: /Arduino-shield/				
File: Arduino-shield.kicad_sch	Size: A3	Date: 2023-10-31	Author: namino.cc	Rev: 1
KiCad E.D.A. kicad (7.0.0)				sheet: 8

This documentation is licensed under a  
Creative Commons Attribution-ShareAlike 4.0 International (CC BY-SA) licence  
<http://creativecommons.org/licenses/by-sa/4.0/>





<b>Title: BIANCO</b>		<b>namino.cc</b>		
Sheet: /Accessori/				
File: accessori.kicad_sch		Author: namino.cc		Rev: 1
Size: A3	Date: 2023-10-31	KiCad E.D.A. kicad (7.0.0)		sheet: 9

This documentation is licensed under a  
 Creative Commons Attribution-ShareAlike 4.0 International (CC BY-SA) licence  
<http://creativecommons.org/licenses/by-sa/4.0/>



mikroBUS

<b>Title: BIANCO</b>		<b>namino.cc</b>		
Sheet: /MikroE-shield/				
File: MikroE-shield.kicad_sch		Author: namino.cc		Rev: 1
Size: A3	Date: 2023-10-31	KiCad E.D.A. kicad (7.0.0)		sheet: 9